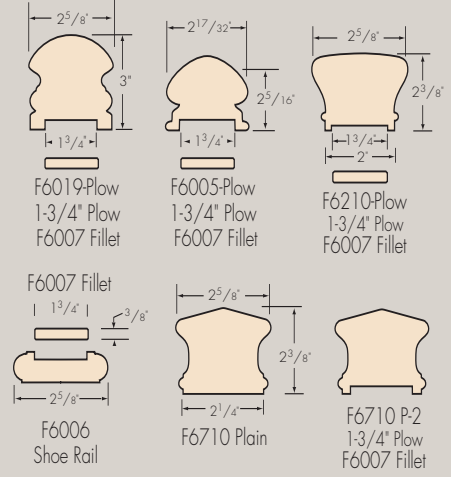
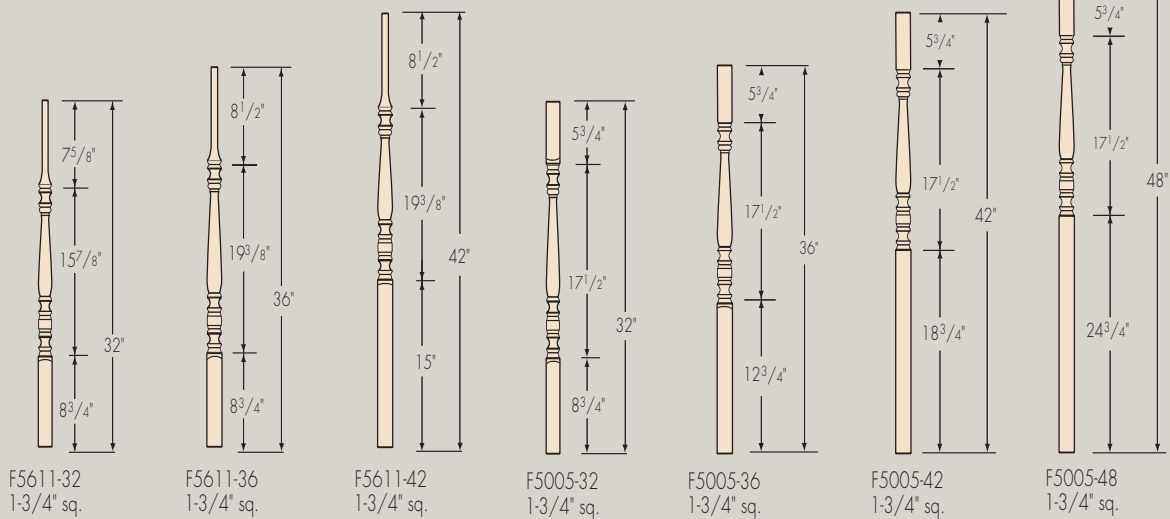


HAMPTON
POST-TO-POST

HANDRAILS



BALUSTERS



NEWELS

