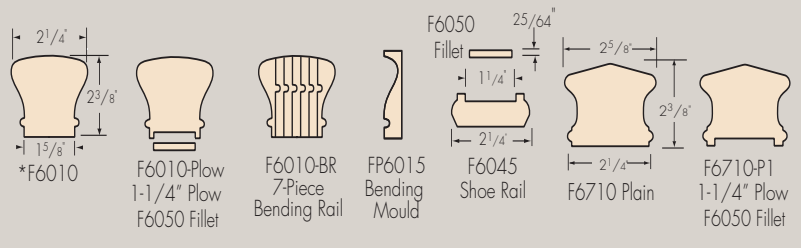


HANDRAILS

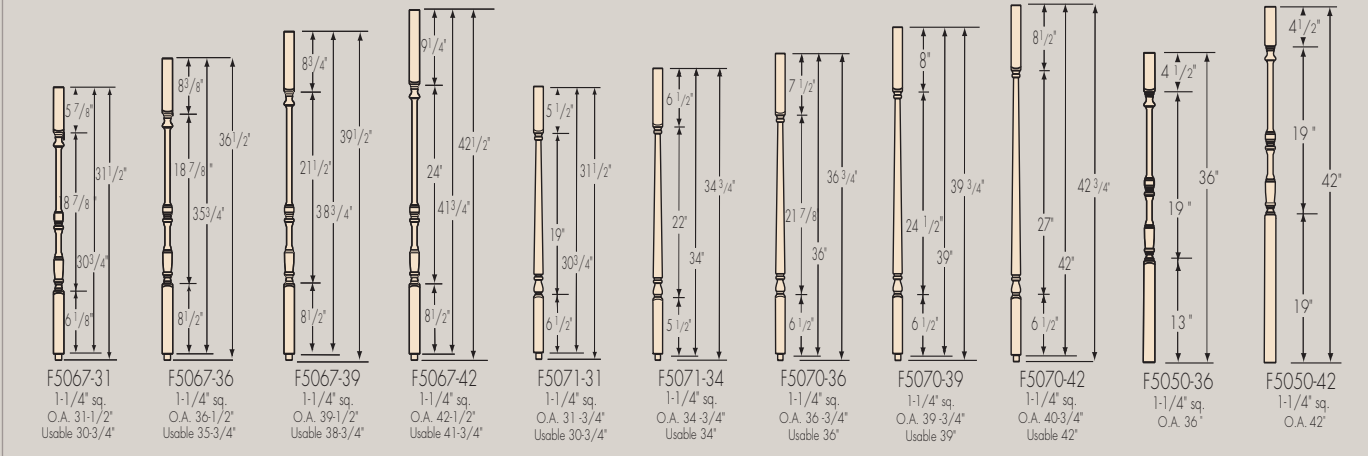


BALUSTERS

Overall	Usable	Overall	Usable	Overall	Usable	Overall	Usable
31"	30 3/8"	31"	30 3/8"	34"	33 3/8"	31"	30 3/8"
34"	33 3/8"	34"	33 3/8"	36"	35 3/8"	36"	35 3/8"
36"	35 3/8"	36"	35 3/8"	39"	38 3/8"	39"	38 3/8"
39"	38 3/8"	39"	38 3/8"	42"	41 3/8"	42"	41 3/4"
42"	41 3/8"	42"	41 3/8"	45"	44 3/8"	45"	44 3/8"
45"	44 3/8"	45"	44 3/8"	42"	41 3/8"	42"	41 3/4"

F5015 (1 1/4" taper top) 3/4" dia. x 5/8" pin  
 F5017 (1 1/8" taper top) 3/4" dia. x 5/8" pin  
 F5035 3/4" dia. x 5/8" pin  
 F5040 3/4" dia. x 5/8" pin

BALUSTERS



NEWELS

