

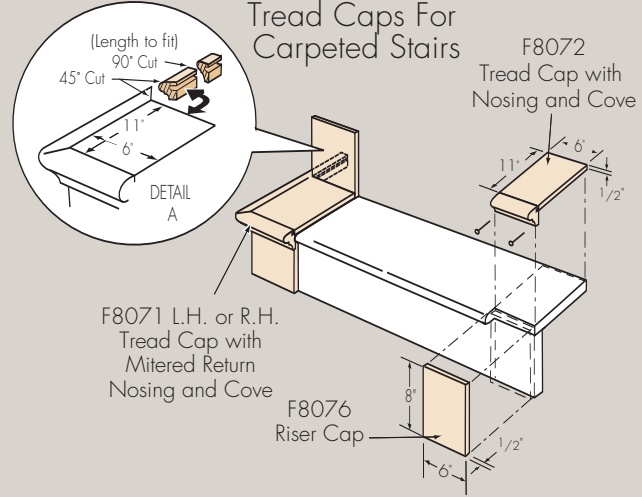
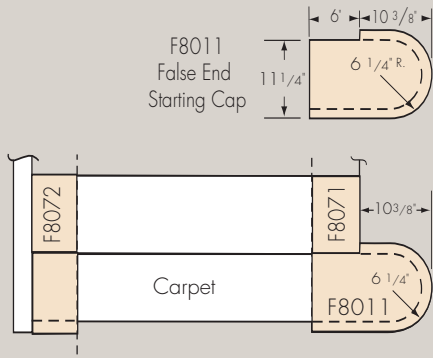
ALL FITTS INDUSTRIES, INC. STARTING STEPS INCLUDE:

- Radius Shoe and Cove Mould
- Straight Shoe & Cove Mould
- The Option to Specify Paint Grade or Stain Grade Risers
- Reversible Single Bullnose Treads

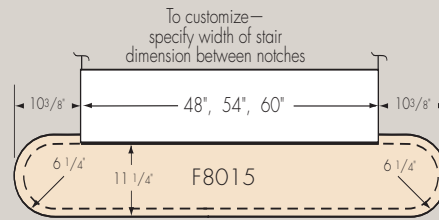
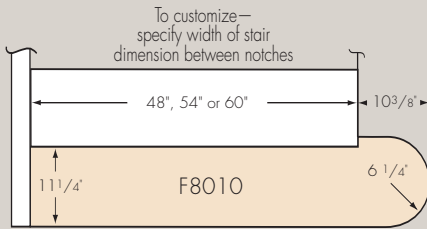
SPECIFICATIONS:

- Starting Step Tread – 1" x 11-1/4"
- Riser – 3/4" x 7" (Overall Rise 8" w/Tread)
- Widths – are specified to outside of finished stringers, taking into consideration skirt board, sheetrock and tread brackets if applicable.

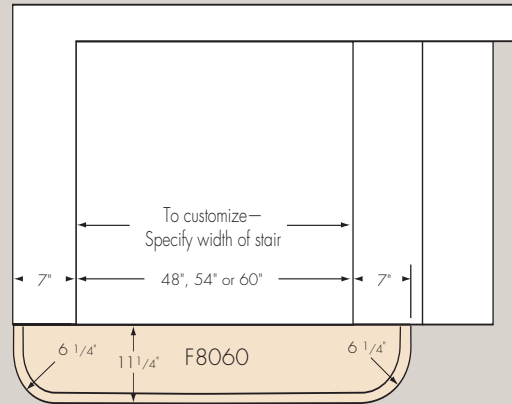
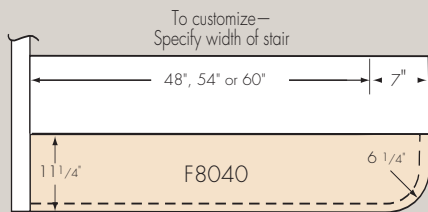
FALSE END STARTING STEPS



STARTING STEPS



QUARTER CIRCLE STARTING STEPS



HALF CIRCLE STEPS

