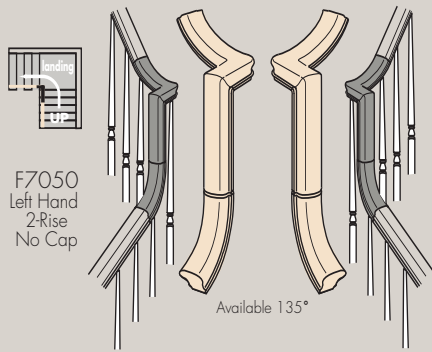


GOOSENECK FITTINGS

*Note: For increased stability, the use of a newel under all Gooseneck Fittings is strongly recommended.

*On 2-rise Goosenecks bottom Up-Easing is unattached for adjustment in the field.



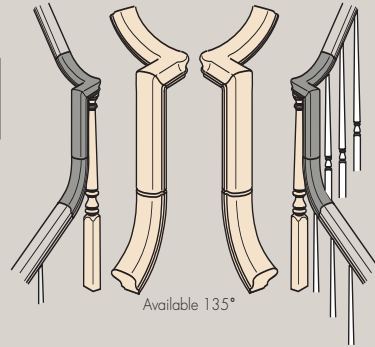
F7050
Left Hand
2-Rise
No Cap

Available 135°



F7055
Right Hand
2-Rise
No Cap

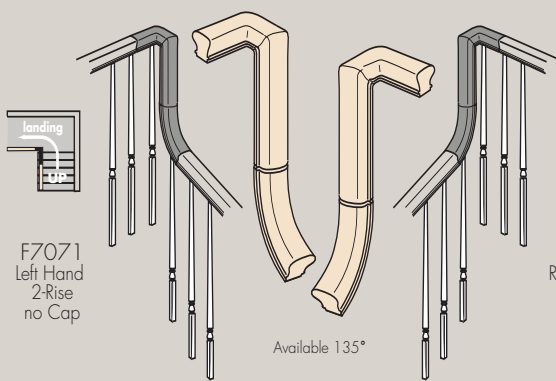
Newel
F7060
Left Hand
2-Rise
with Cap



Available 135°



Newel
F7065
Right Hand
2-Rise
with Cap



F7071
Left Hand
2-Rise
no Cap

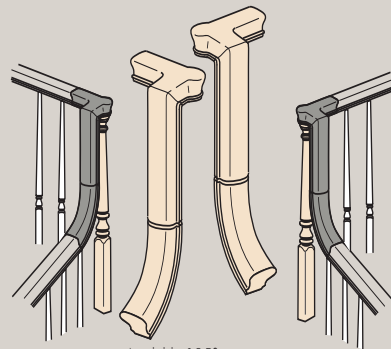
Available 135°



F7076
Right Hand
2-Rise
no Cap



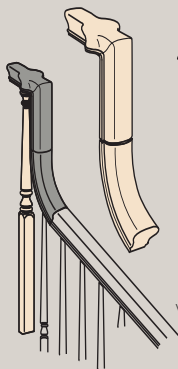
Newel
F7081
Left Hand
2-Rise
with Cap



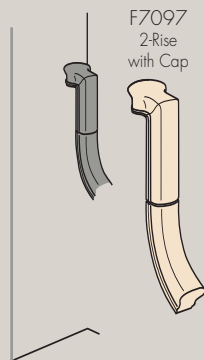
Available 135°



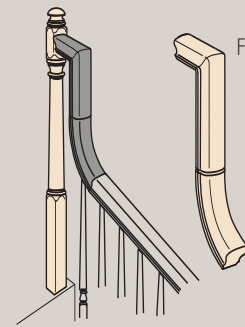
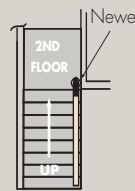
Newel
F7086
Right Hand
2-Rise
with Cap



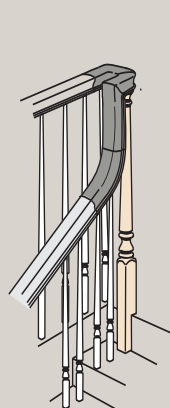
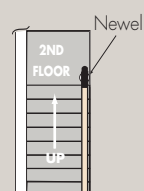
Newel
F7089
2-Rise
with Cap



F7097
2-Rise
with Cap



F7099
2-Rise

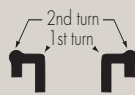


F7090-2
Left Hand
2-Rise
offset 5 1/2"
to center
of Rail



5-1/2"

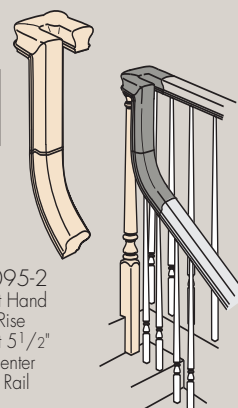
For Cap
specify WC



Note:
F7090-2, F7095-2, F7290-2
F7295-2, available with Cap
by special order



5-1/2"



F7095-2
Right Hand
2-Rise
offset 5 1/2"
to center
of Rail