

TREADS, RISERS, STARTING STEPS & TREAD CAPS

All Fitts Industries, Inc. Starting Steps Include:

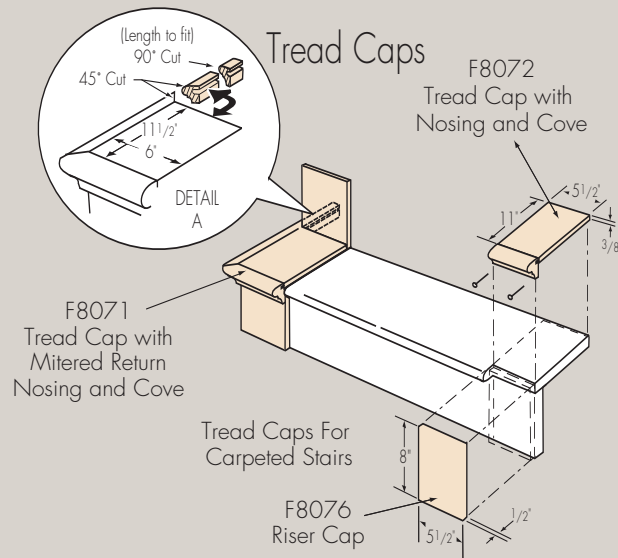
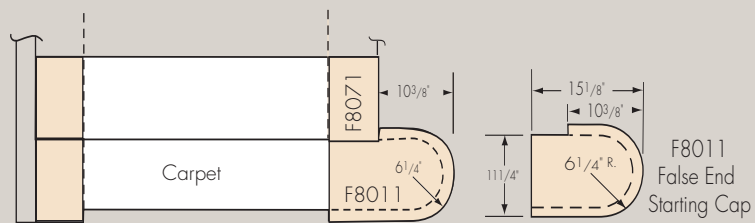
- Radius Shoe and Cove Mould
- Straight Shoe & Cove Mould
- The Option to Specify Paint Grade or Stain Grade Risers
- Reversible Single Bullnose Treads

Specifications:

- Starting Step Tread – 1" x 11-1/32"
- Riser – 3/4" x 7" (Overall Rise 8" w/Tread)
- Widths – are specified to outside of finished stringers, taking into consideration skirt board, sheetrock and tread brackets, if applicable.

False End Starting Step

F8011 — Use with F6010 Handrail with Turnout or Volute when carpeting the stair.



F8010 and F8015-48
Use with F6010 Handrail, with Turnout and Volutes.

